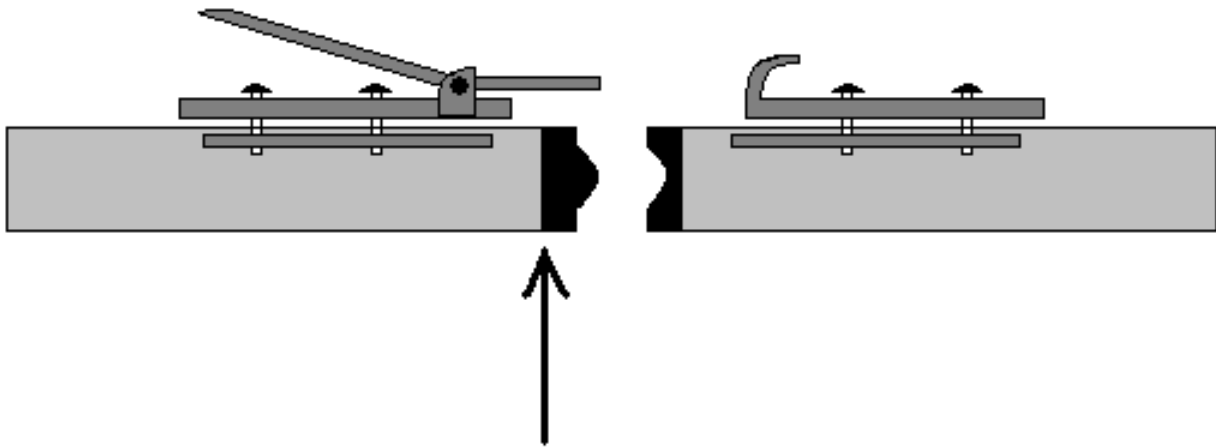


# Trojan 200 Classic

## Centre clamp replacement instructions



1. Pry off the nylon connector at the end of the spar using a flat-blade screwdriver or similar and retain any rubber filler strips.
2. Support the internal backing plate with finger and unscrew the bolts holding the clamp using a Phillips screwdriver.
3. Screw new clamp into backing plate and tighten fully.
4. Replace the nylon connector. Please ensure the connector is a tight fit. Use any retained filler strips, or use folded plastic sheet if necessary. The connector should be tapped home with a hammer.

If you encounter any problems or require further assistance, please call us on:

01933 670997