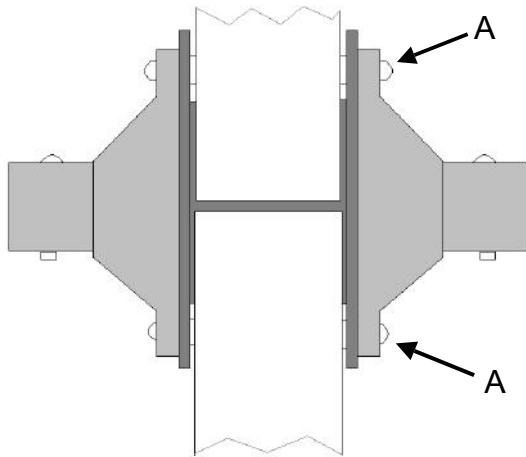
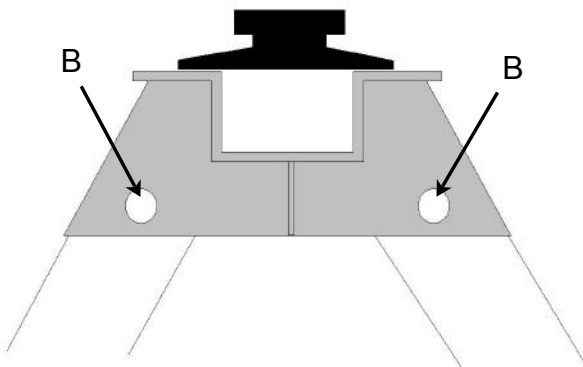


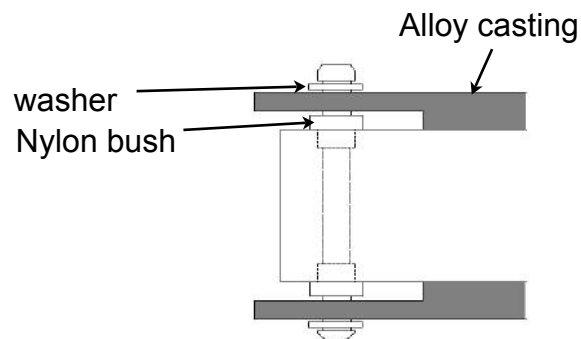
Replacing the centre casting - Trojan 100 Classic



- 1 Swivel the clamp to the unlocked position
- 2 Unfasten nut/screw 'A' to release the upper and lower spars
- 3 Ensure you retain all nuts/washers and nylon bushes



- 4 Remove bolts 'B' holding the casting to the lower frame
- 5 Gently remove the casting (you may need to tap it lightly with a soft-faced hammer)
- 6 Replace with the new centre casting
- 7 Replace bolts 'B'
- 8 Replace spars using bolts 'A'
- 9 Please ensure that the nylon bushes on the spars are replaced correctly



Any problems? Please call us on 01933 670997